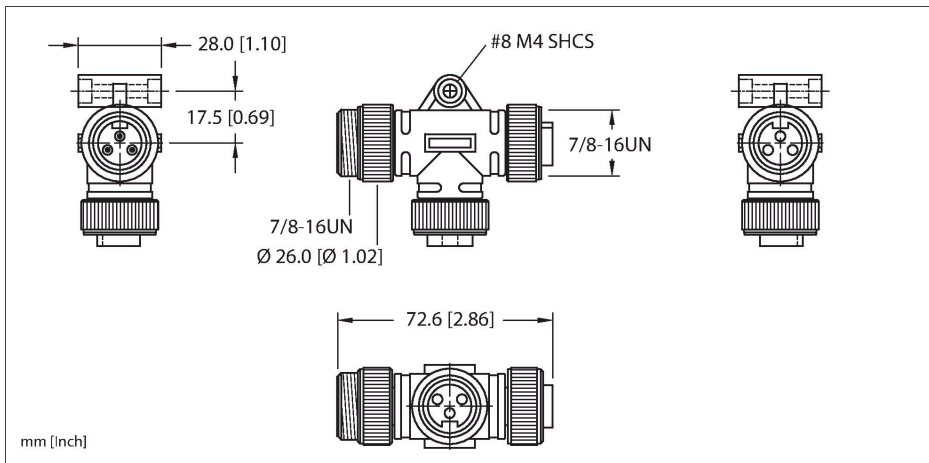


RSM-2RKM 30

Actuator and Sensor Tee – T-Splitter

3-Wire



Technical data

Type	RSM-2RKM 30
ID	U1061
Distributed I/O	T-splitter, 2 -port
Housing	Plastic, TPU, Yellow
Connector A	Male, 7/8"-16 UN
Number of contacts	3
Contacts	Brass, CuZn, Gold-plated
Contact carriers	Plastic, TPU, Yellow
Coupling nut	Brass, CuZn, Nickel-plated
Mechanical life	> 100 Mating cycles
Pollution degree	3
Protection class (When coupled)	IP67, When coupled
	NEMA: 1, 3, 4, 6P
Connector B	2 x Female, 7/8"-16 UN
Number of contacts	3
Contacts	Brass, CuZn, Gold-plated
Contact carriers	Plastic, TPU, Yellow
Coupling nut	Brass, CuZn, Nickel-plated
Seal	Plastic
Mechanical life	> 100 Mating cycles
Pollution degree	3
Protection class (When coupled)	IP67, Only when screwed together
	NEMA: 1, 3, 4, 6P

Features

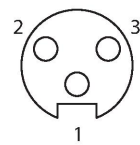
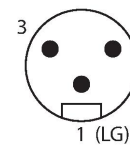


- 7/8" Male, Straight, 3-pin
- 2x 7/8", Female, Straight, 3-pin

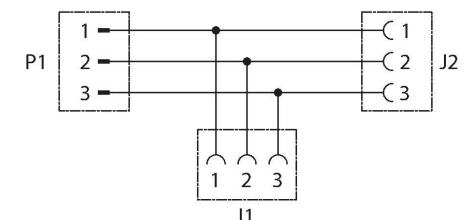
Contact assignment

Connector A (P1)

Connector B (J1-2)



Circuit Diagram



Technical data

Electrical properties at +20 °C

Rated voltage	250 V
---------------	-------

Current	9 A
---------	-----

Insulation resistance	$\geq 10^8 \Omega$
-----------------------	--------------------

forward resistance	$\leq 5 \text{ m}\Omega$
--------------------	--------------------------

Mechanical and chemical properties

Ambient temperature range (static)	-40...+80 °C
------------------------------------	--------------

Ambient temperature range (dynamic)	-40...+80 °C
-------------------------------------	--------------

Approvals	RoHS UL Listed CE CSA
-----------	--------------------------------

Note

- We reserve the right to make technical alterations without prior notice.